

HD-Bridge DEC+

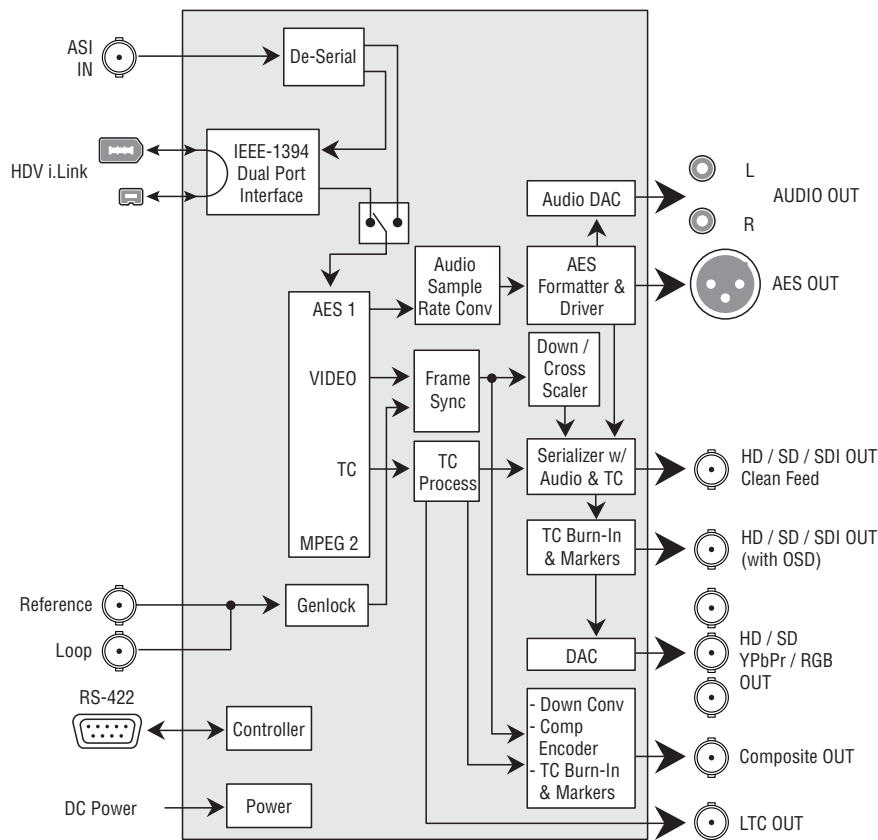
HDV to HD/SD interface



Miranda's HD-Bridge DEC+ is a high quality HDV (MPEG-2) decoder interface with multiple output formats for news gathering, recording, monitoring, and on-air playout. HD-Bridge DEC+ features two HDV IEEE-1394 ports (iLink, Firewire), an ASI input, and a Genlock reference input. Dual digital video outputs provide either HD-SDI or SDI with embedded audio and Time Code. One output is a clean feed, and the other features Time Code burn-in and aspect ratio markers. The interface also provides composite, SD/HD component video, AES and analog audio, and LTC outputs. A RS-422 port is available for VTR control, and a built-in cross converter allows 1080i/720p HD cross-conversion. The interface can also perform 720p24 HDV to 1080PsF24 HD-SDI conversion for high-end 24p production, and there is also a 1080i/720p HD to SD downconverter. A lower cost version of the HD-Bridge DEC+, called HD-Bridge DEC, is identical except that it does not include the ASI and Genlock inputs.

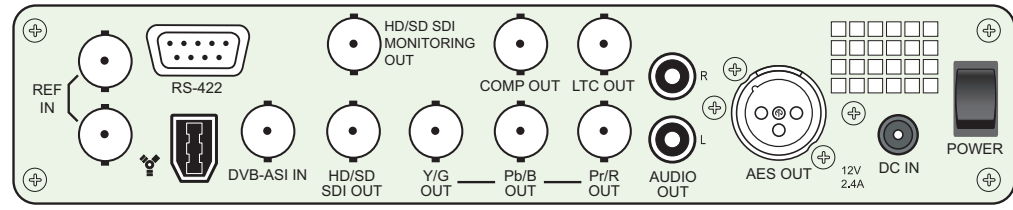
KEY FEATURES AND BENEFITS

- › High quality HDV to HD/SD conversion
- › Multiple outputs: HD/SD with embedded audio and Time Code, Component Analog SD/HD, Composite, AES, Analog audio and Time Code
- › Cross conversion with HD-SDI output at 1080i or 720
- › Dual HD/SD outputs: one clean output, and one with Time Code burn-in and Graticule Markers
- › Desktop design with front (4-pin) and rear (6-pin) IEEE-1394 HDV connections
- › VTR control by RS-422
- › Genlock input for broadcast applications
- › Low cost monitoring by constant Composite output
- › 720p24 HDV to 1080PsF24 HD-SDI conversion for high-end 24 production (Universal Mastering Format)
- › ASI input for cost effective HD news gathering, when used with ASI-Bridge CAM (see page 308)
- › Downconverter HDV/HD to SDI with selectable anamorphic, cropped or letterbox formats.

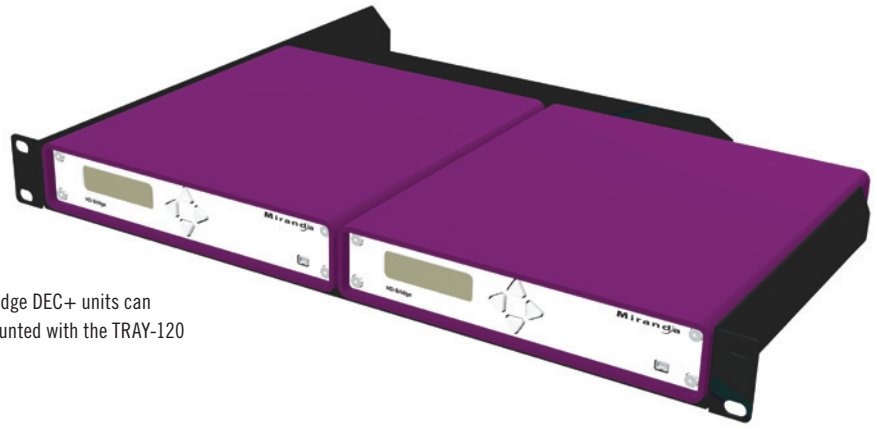


HD-Bridge DEC+ Functional Block Diagram

HD-Bridge DEC+: rear panel



HD-Bridge DEC+ rear



Two HD-Bridge DEC+ units can be rack mounted with the TRAY-120

TECHNICAL SPECIFICATIONS

Processing delay: 2.5 frames typical

ELECTRICAL
 Voltage: 12 VDC
 Power: <20 W

INFRASTRUCTURE
 Sound pressure level: 8.9 dBA
 (1 m in front of unit)

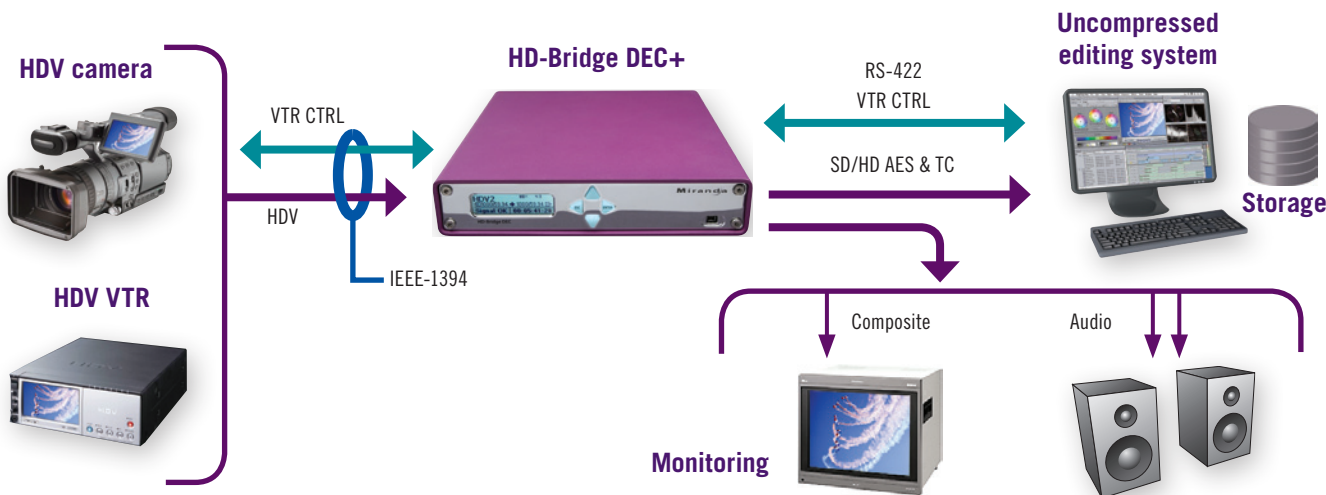
ORDERING INFORMATION

HD-Bridge DEC+ TRAY-120	HDV to HD/SD interface with Genlock and ASI inputs 1RU tray for up to two HD-Bridge DEC+ units
----------------------------	---

HD-Bridge DEC+: typical applications

HD/SD capture and editing

HD-Bridge DEC+ converts HDV to HD/SD for high quality, uncompressed HD/SD editing, with easy digital/analog video and audio monitoring.



720p24 HDV to 1080p24 HD-SDI "Universal mastering format" conversion

The HD-Bridge DEC+ is ideal for performing 720p24 HDV to 1080p24 HD-SDI conversion for high-end 24p production.



HDV content for broadcast payout

The versatile HD-Bridge DEC+ features multiple outputs which simplify the monitoring, recording and on-air payout of HDV content.



Long range HDV news gathering over coax

The HD-Bridge DEC+ can be combined with the ASI-Bridge CAM (see page 308) to create a highly effective long range HDV news gathering system. This overcomes the short range limits of Firewire cable, and allows more flexibility in the field.

